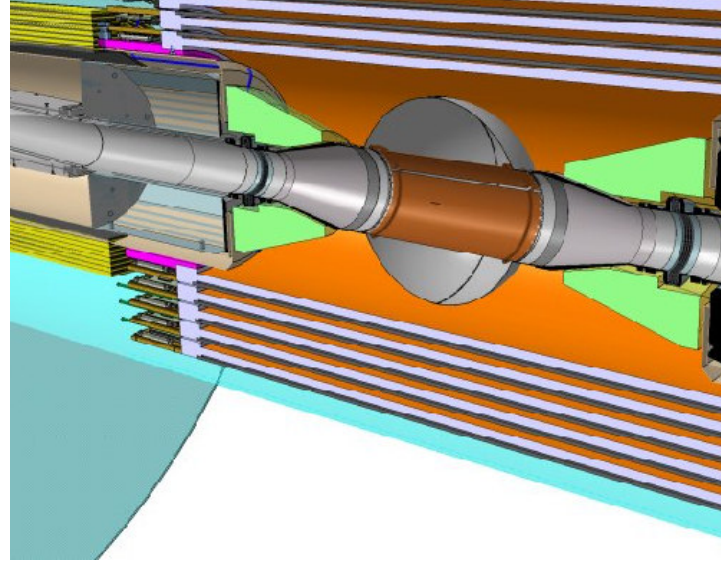
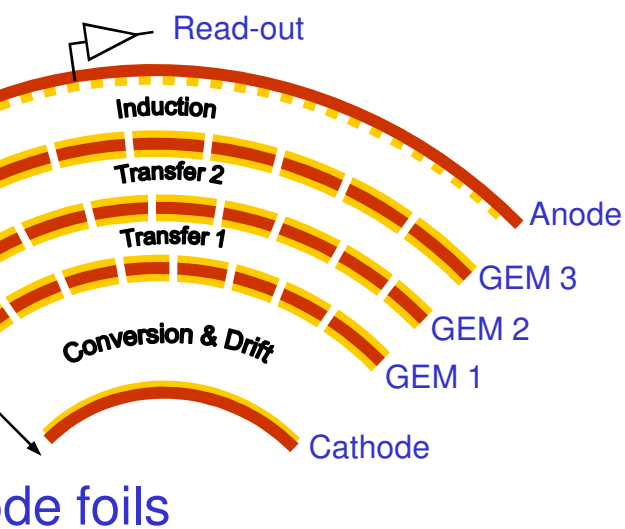


fiber
 es, 4m long * C-shaped
 ll hermeticity
 eV)
 GeV)

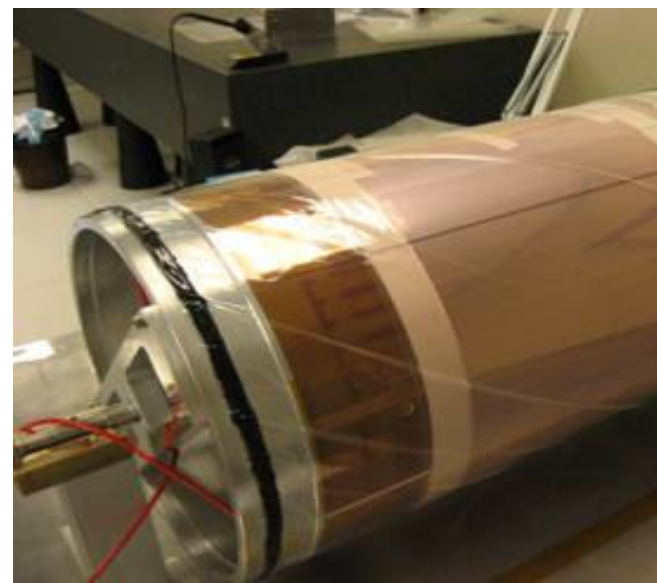


inner wall of the KLOE Drift Chamber 150 mm to 250 mm
 -zone-free triple-GEM based detector: the **Cylindrical GE**

Cylindrical Triple GEM sketch



ode foils



3. The GEM foil is rolled on a mould and then enveloped in

